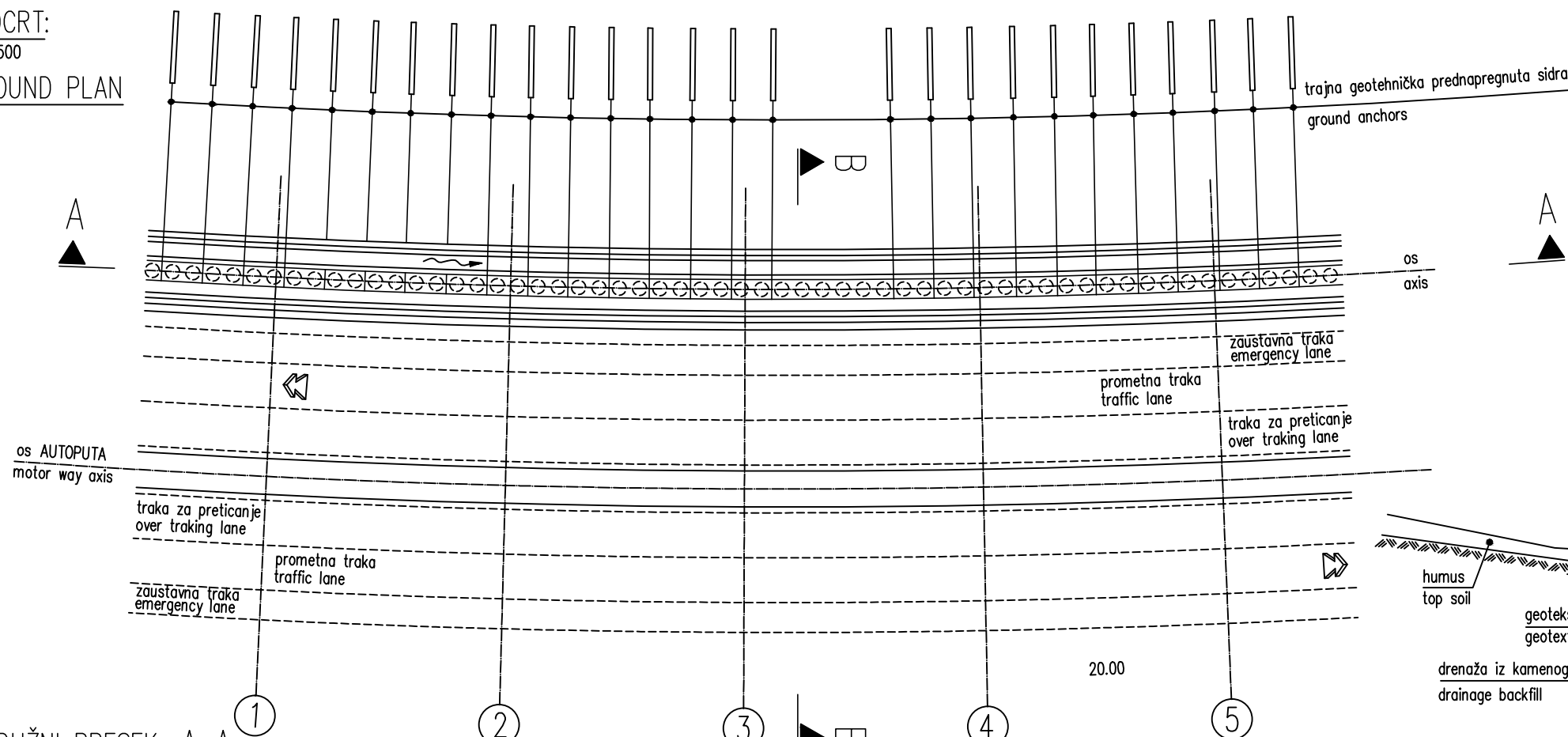
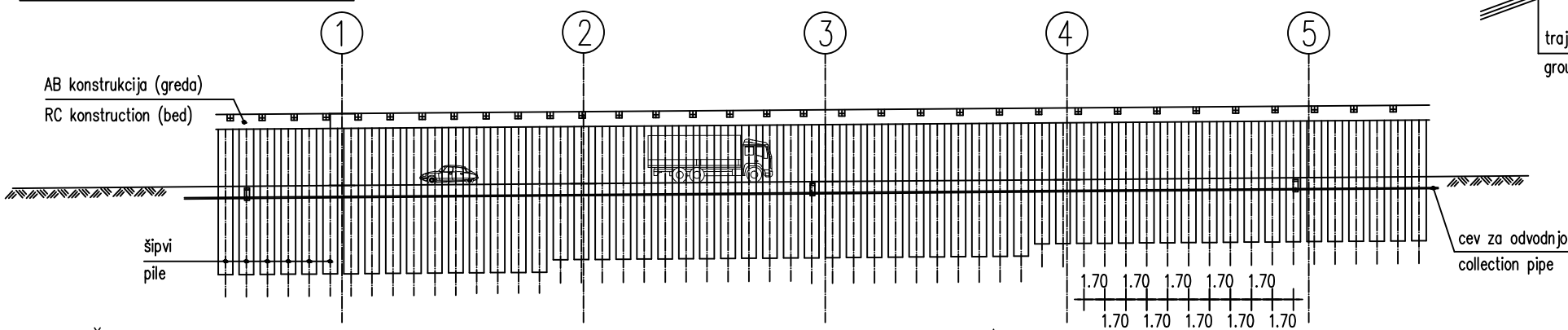


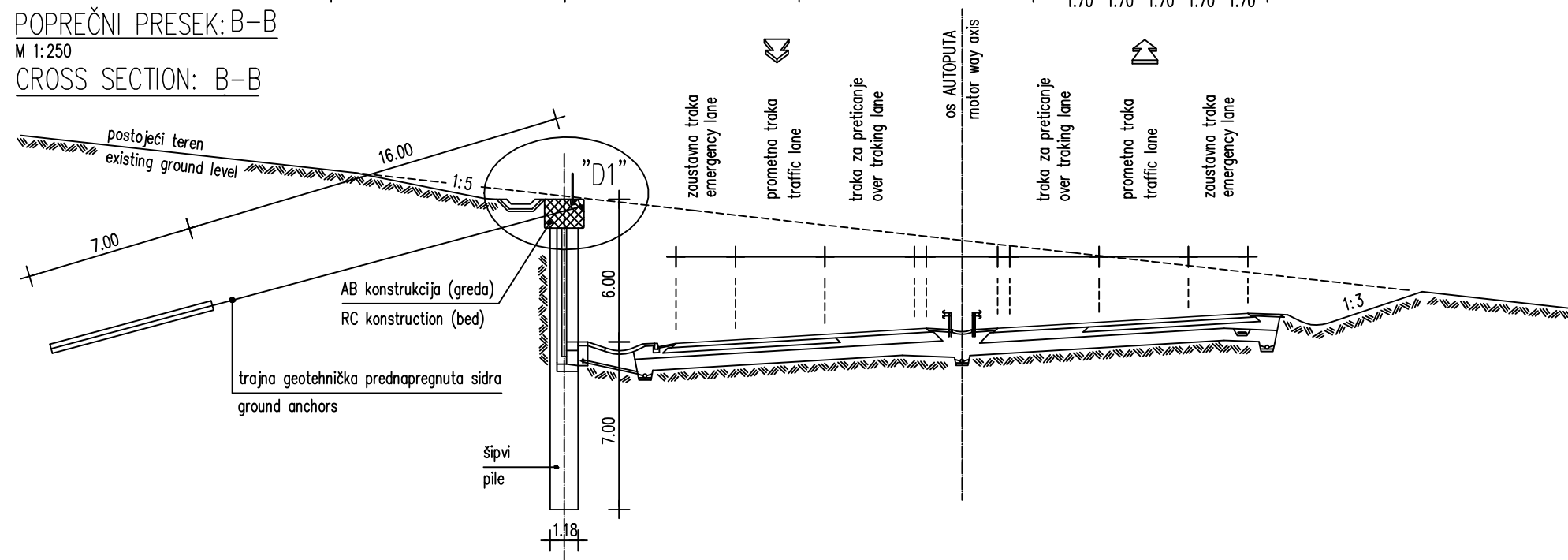
TLOCRT:
M 1:500
GROUND PLAN



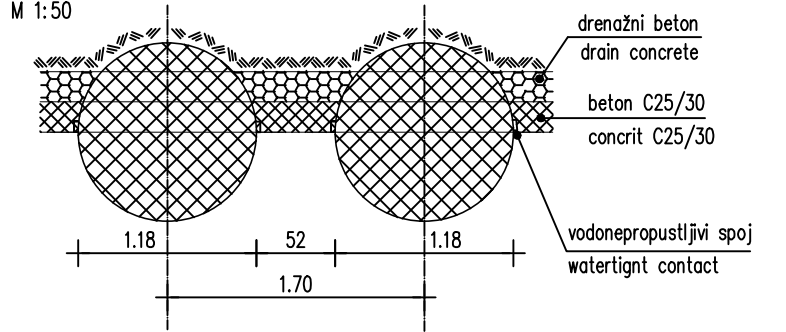
PODUŽNI PRESEK: A-A
M 1:500
LONGITUDINAL SECTION: A-A



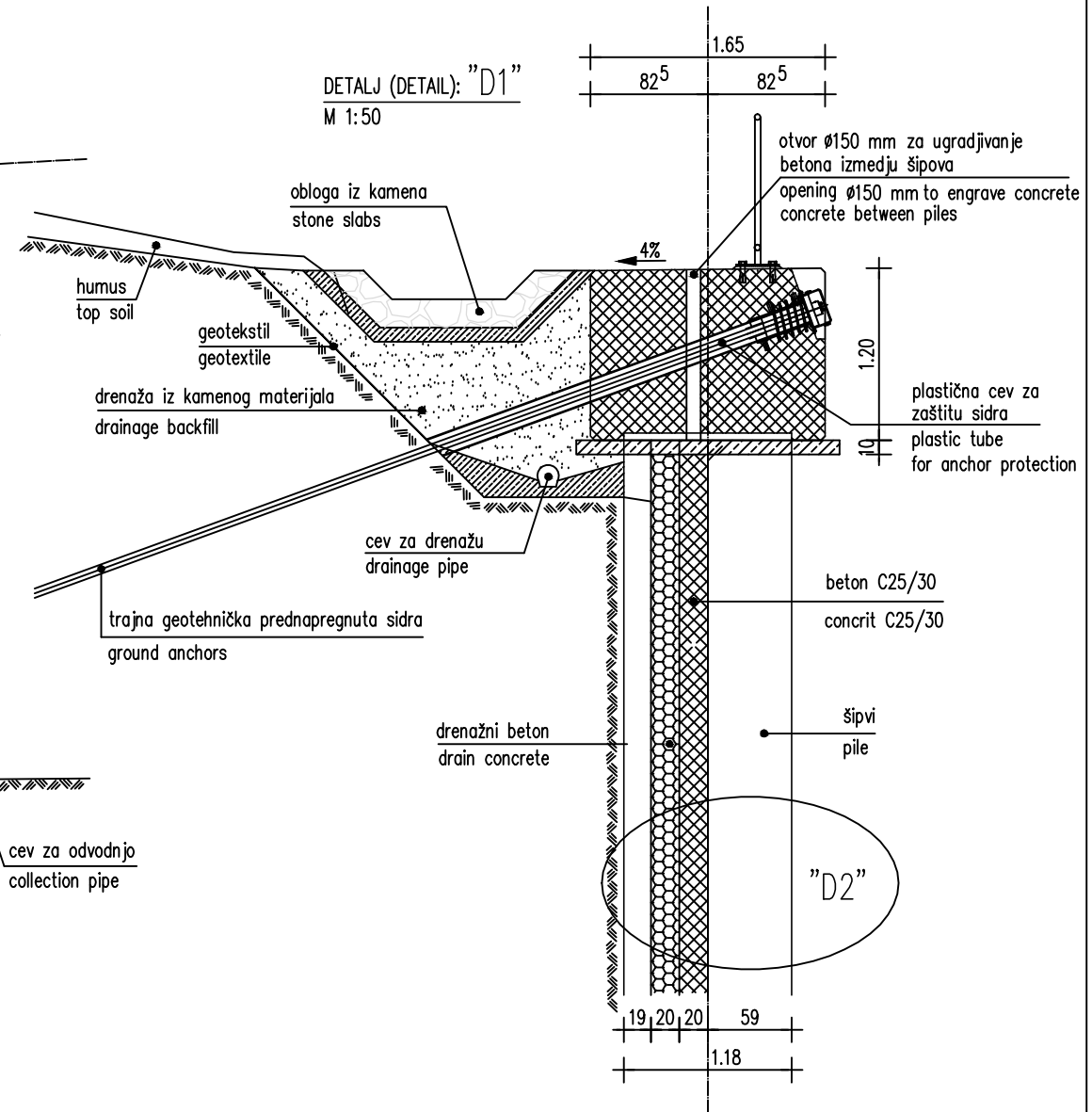
POPREČNI PRESEK: B-B
M 1:250
CROSS SECTION: B-B



DETALJ (DETAIL): "D2"
M 1:50



DETALJ (DETAIL): "D1"
M 1:50



br./no.	promena/change	datum/date	ime/name

Klijent/client:

naslov/title: SRSDD Standardni crteži putnih detalja u Republici Srbiji
SRSDD Serbian road standard detail drawings

crtež/drawing: Armiranobetonski ankerisani zid od bušenih šipova
Reinforced concrete anchored wall from drilled piles

merilo/scale: 1 : 500, 250, 50 | datum/date: 30.04.2012 | strana/page: 6.11